

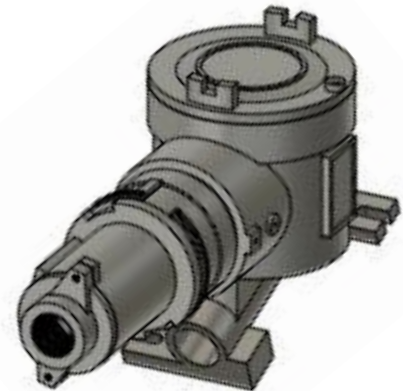


## FSQ-BP SERIES EX-PROOF PLUG-SOCKET

ATEX CERTIFICATE: INSEMEX-OEC.ATEX.20.0316X

CE  II 2 G Ex d II C T6/T5 Gb

CE  II 2 D Ex t III C T80°C/T95°C Db



### APPLICATIONS

FSQ-BP SERIES ex-proof plug-socket, Zone-1, Zone-21, Zone-2 and Zone-22 suitable for use in ex-proof environments.

### MATERIAL

Body; aluminum (ETiAl 171)  
Colour: RAL 7040(grey)

### MECHANICAL PROTECTION TYPE

IP 66

Catalog No.	Number of Phases	Max. Current (Amper)	Operating Voltage (Volt)	A (mm.)
FSQ-BP 216	2P + S	20	200-250	74
FSQ-BP 232	2P + S	32	200-250	74
FSQ-BP 416	3P+N+S	20	380-415	100
FSQ-BP 432	3P+N+S	32	380-415	100
FST-BT 463	3P+N+S	63	380-690	160
FST-BT 4125	3P+N+S	125	380-690	160

**Note: 63 A and 125 A plug-socket will be offered together with our gub series boxes**